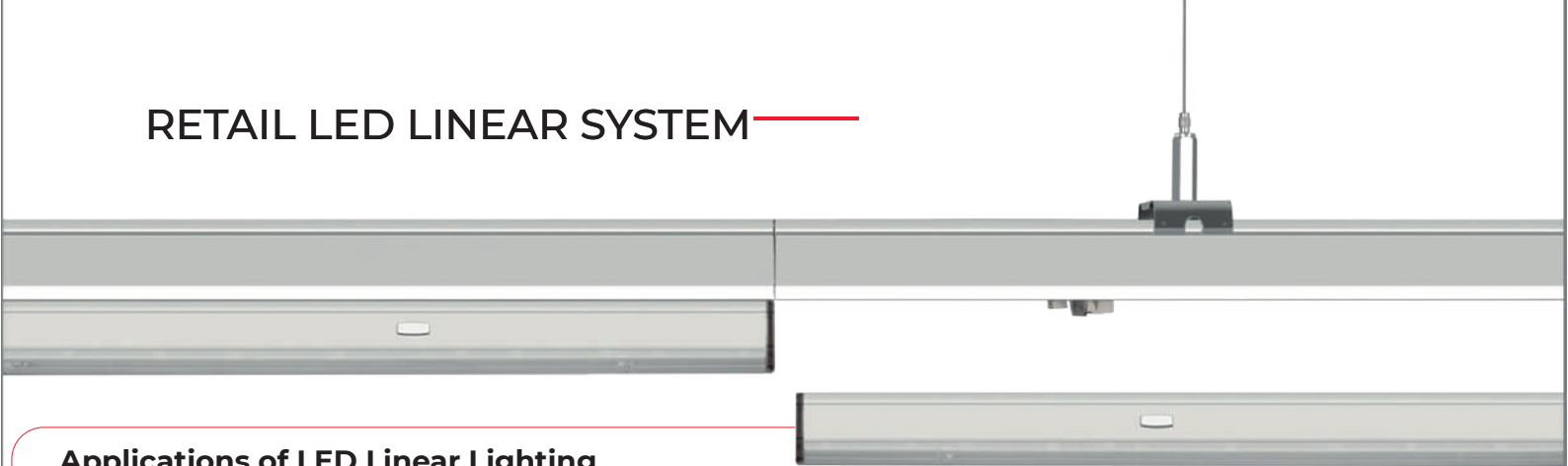


LED Linear Retail

35W / 40W / 45W / 50W / 55W / 60W / 65W / 70W
3CCT - 150cm - DALI / DIM switch/ 1-10V

**LED linear system for the Retail sector,
an easy-to-install and durable solution.**

RETAIL LED LINEAR SYSTEM



Applications of LED Linear Lighting

> Commercial

- Offices: Provides uniform, high-quality lighting, improving productivity and visual comfort.
- Stores: Enhance products and create an attractive environment for customers.

> Industrial

- Factories: Ensures bright and constant lighting, crucial for precision tasks and workplace safety.
- Workshops: Improves visibility in work areas, increasing efficiency and reducing errors.

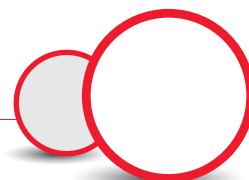
> Warehouses

- Depots: Offers powerful and long-lasting lighting, ideal for large spaces with high ceilings.
- Distribution Centers: Facilitates the correct identification and handling of merchandise, optimizing the workflow.

Other features



- Three-phase preselection by moving the pin of the luminaire's male connector to the right or left to install on the rail.
- Standard support rail with through-wiring of 5, 8 or 12 conductors with 2.5 mm² cable for power and 1.5 mm² cable for dimming control.
- Maximum current is 16A, allowing 70 1500mm 50W units in a row in series with 220VAC power supply. Possibility of power supply in the side or end area of a support rail using a special support rail element
- Wide distances between suspension points up to 3m with self-supporting connector elements
- Simple assembly of support rail elements with pre-assembled connectors with integrated plug system (electrical and mechanical connection)
- Flexible electrical entry and exit points



RETAIL LED LINEAR SYSTEM



A continuous row LED lighting system is achieved by integrating an LED channel and luminaire. This system is presented as a homogeneous solution without visual interruptions, ensuring uniform and consistent lighting. The luminaire and the support rail are perfectly adapted to each other, allowing a clean and continuous installation without the need for different reflectors or disruptive elements.



LENS MODEL



CENTER LINE

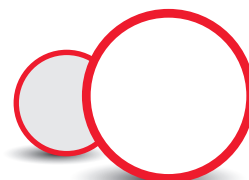


INDIVIDUAL LENSES



BLUR

USE AS EMERGENCY LIGHT



TECHNICAL CHARACTERISTICS

> APERTURES

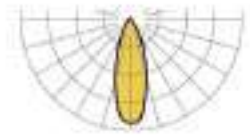
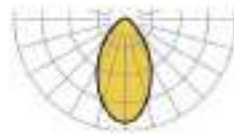
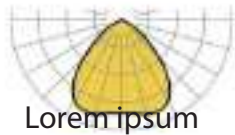
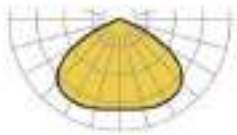


FD-120°

WD-90°

NR-60°

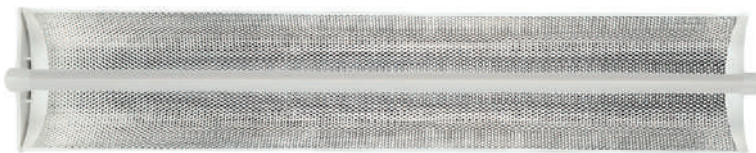
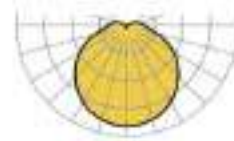
SP-30°



LS / RS

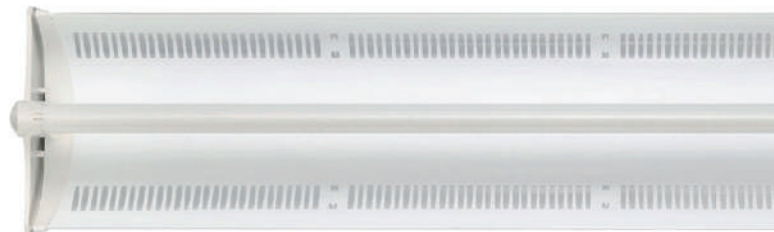
DS

FF



NARROW

ASYMMETRIC



WIDE

+34 916357859



WWW.OPTIMALED.EU

FUNCTIONALITIES



LED



SENSOR



EMERGENCY



WIRELESS

ACCESSORIES

ELECTRIC CONECTORS



MOUNTING KIT



CONNECTORS

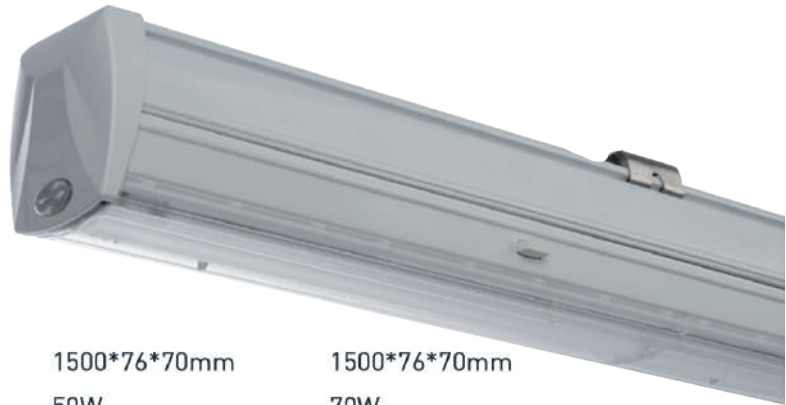


TERMINATIONS



TECHNICAL CHARACTERISTICS

Dali STANDARD 35W/50W/70W



>	Exterior dimensions	1500*76*70mm	1500*76*70mm	1500*76*70mm
>	Input power	35W	50W	70W
>	DIP Switch a Input	35/40/45/50W	35/40/45/50W	55/60/65/70W
>	voltage Input current	220 - 240VAC	220 - 240VAC	220 - 240VAC
>	Network frequency	0.2A max	0.3A max	0.4A max
>	PF (at 230 Y, 50 Hz, full load)	50/60HZ	50/60HZ	50/60HZ
>	Lumen Efficiency	5600lm/6300lm	8000lm/9000lm	11200lm/12600lm
		160lm/W / 180lm/W	160lm/W / 180lm/W	160lm/W / 180lm/W
>	CCT	2700-6500K	2700-6500K	2700-6500K
>	IRC	80Ra	80Ra	80Ra
>	R9	>0	>0	>0
>	SDMC	<3	<3	<3
>	ANGLES	30°, 60°, 90°, 120°	30°, 60°, 90°, 120°	30°, 60°, 90°, 120°
	Attenuation	LS/RS, DS, FF	LS/RS, DS, FF	LS/RS, DS, FF
>	Dimming range	NO	NO	NO
>	Flicker percentage	/	/	/
>	Pst LM Metric	≤5%	≤5%	≤5%
>	Flashing	≤1.0	≤1.0	≤1.0
>	SNM effect	≤0.4	≤0.4	≤0.4
>	IP	IP20	IP20	IP20
>	Operating humidity	10% - 80%	10% - 80%	10% - 80%
>	Storage humidity	10% - 80%	10% - 80%	10% - 80%
>	Ambient temperature	-25 - 40°C	-25 - 40°C	-25 - 40°C
>	Ta			
>	Warranty	5 years	5 years	5 years
>	Temperature Ts	-40 - 85°C	-40 - 85°C	-40 - 85°C

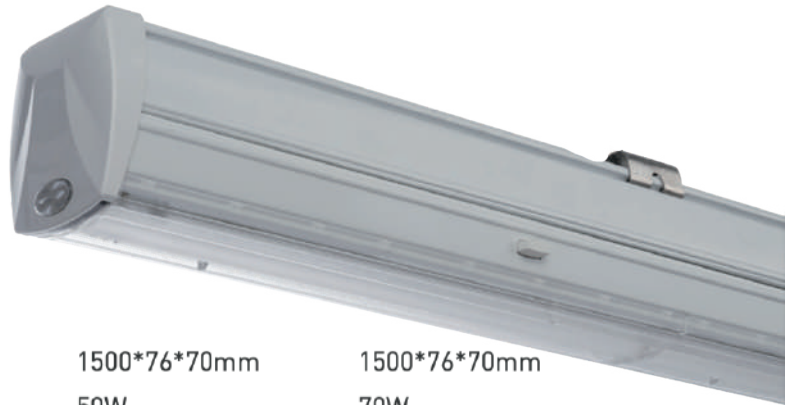
+34 916357859



WWW.OPTIMALED.EU

CARACTERÍSTICAS TÉCNICAS

Dali V 2.0 35W/50W/70W



>	Exterior dimensions	1500*76*70mm	1500*76*70mm	1500*76*70mm
>	Input power	35W	50W	70W
>	DIP Switch a Input	35/40/45/50W	35/40/45/50W	55/60/65/70W
>	voltage Input current	220 - 240VAC	220 - 240VAC	220 - 240VAC
>	Network frequency	0.2A max	0.3A max	0.4A max
>	PF (at 230 Y, 50 Hz, full load)	50/60HZ 0.9	50/60HZ 0.9	50/60HZ 0.9
>	Lumen Efficiency	5600lm/6300lm 160lm/W / 180lm/W	8000lm/9000lm 160lm/W / 180lm/W	11200lm/12600lm 160lm/W / 180lm/W
>	CCT	2700-6500K	2700-6500K	2700-6500K
>	IRC	80Ra	80Ra	80Ra
>	R9	>0	>0	>0
>	SDMC	<3	<3	<3
>	ANGLES	30°, 60°, 90°, 120°	30°, 60°, 90°, 120°	30°, 60°, 90°, 120°
>	Attenuation	LS/RS, DS, FF	LS/RS, DS, FF	LS/RS, DS, FF
>	Dimming range	DALI DT6/switch	DALI DT6/switch	DALI DT6/switch
>	Flicker percentage	1% - 100%	1% - 100%	1% - 100%
>	Pst LM Metric	≤5%	≤5%	≤5%
>	Flashing	≤1.0	≤1.0	≤1.0
>	SNM effect	≤0.4	≤0.4	≤0.4
>	IP	IP20	IP20	IP20
>	Operating humidity	10% - 80%	10% - 80%	10% - 80%
>	Storage humidity	10% - 80%	10% - 80%	10% - 80%
>	Ambient temperature			
>	Ta	-25 - 40°C	-25 - 40°C	-25 - 40°C
>	Warranty	5 years	5 years	5 years
>	Temperature Ts	-40 - 85°C	-40 - 85°C	-40 - 85°C

+34 916357859



WWW.OPTIMALED.EU

OptimaLED[®] ProTour[®]

LIGHTING **EVOLUTION**



LEADING
THE WAY
TOWARDS A
BRIGHT



WWW.OPTIMALED.EU

C/ Geológicas, 62
28923 Madrid - Spain

PHONE
+34916357859